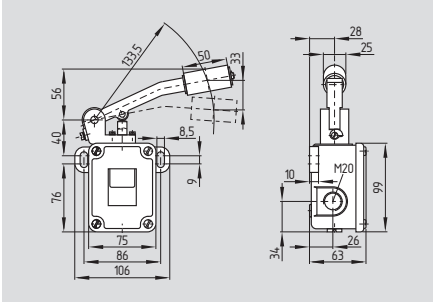


Slack-wire switches

T/M 441



- Metal enclosure
- Slow action, change-over with double break
- Snap action, change-over contact with double break
- 2 cable entries
- Protection class IP 65
- Suitable for heavy duty

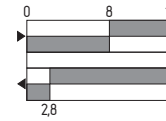
Technical data

Standards:	IEC/EN 60947-5-1
Enclosure:	cast iron, galvanised, paint finish
Protection class:	IP 65 to EN 60529
Contact material:	silver
Switching system:	slow and snap action, double break
Contact type:	snap action: change-over contact, slow action: positive break NC contact ⊖ double break with 2 separate contact bridges
Termination:	screw terminals M 4
Cable section:	max. 2.5 mm ² (incl. conductor ferrules)
U _{imp} :	snap action: 4 kV slow action: 6 kV
U _i :	snap action: 250 V slow action: 400 V suffix -k or -t: 500 V
I _{the} :	16 A
I _e /U _e :	snap action: 4 A / 230 V slow action: 4 A / 400 V
Utilisation category:	AC-15
Max. fuse rating:	16 A gL/gG D-fuse
Contact opening:	snap action: max. 2 x 2.5 mm slow action: max. 2 x 6.0 mm
Switchover time:	snap action: ≤ 35 ms
Bounce duration:	snap action: ≤ 5 ms
Ambient temperature:	- 30 °C ... + 90 °C
Mechanical life:	10 million operations
Switching frequency:	max. 3000/h

Contact variants

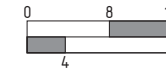
Snap action

1 NO / 1 NC



Slow action

1 NO / 1 NC



Approvals

cUL



Ordering details

① 441-11y②-14-③

No.	Replace	Description
①	M.	Snap action
	T.	Slow action
②	ü	Slow action with overlapping contacts
③	k	Tropical version with ceramic insulation
	t	Tropical and temperature-resistant version - 40 °C ... + 200 °C
	1276	Gold-plated contacts